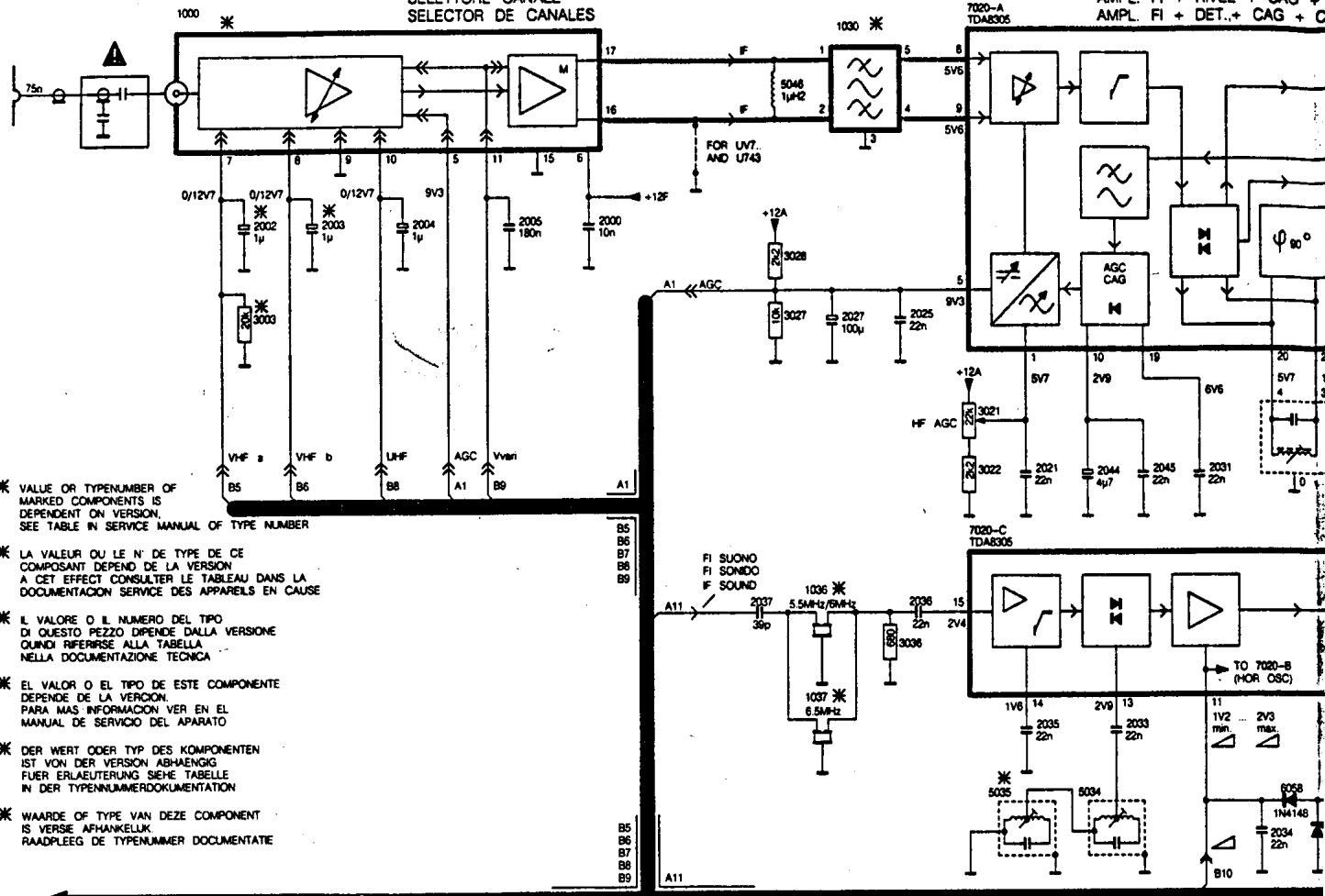


DIAGRAM-SCHALTBIKD-SHEMA-DIAGRAM A

(SUBJECT TO MODIFICATION)
(SOGGETTO A MODIFICHE)

CHANNEL SELECTOR
KANALWAHLER
SELETTORE CANALE
SELECTOR DE CANALES

IF AMPLIFIER + DETECTOR +
ZF VERST + DEM + AVR +
AMPL. FI + RIVEL + CAG +
AMPL. FI + DET. + CAG + C

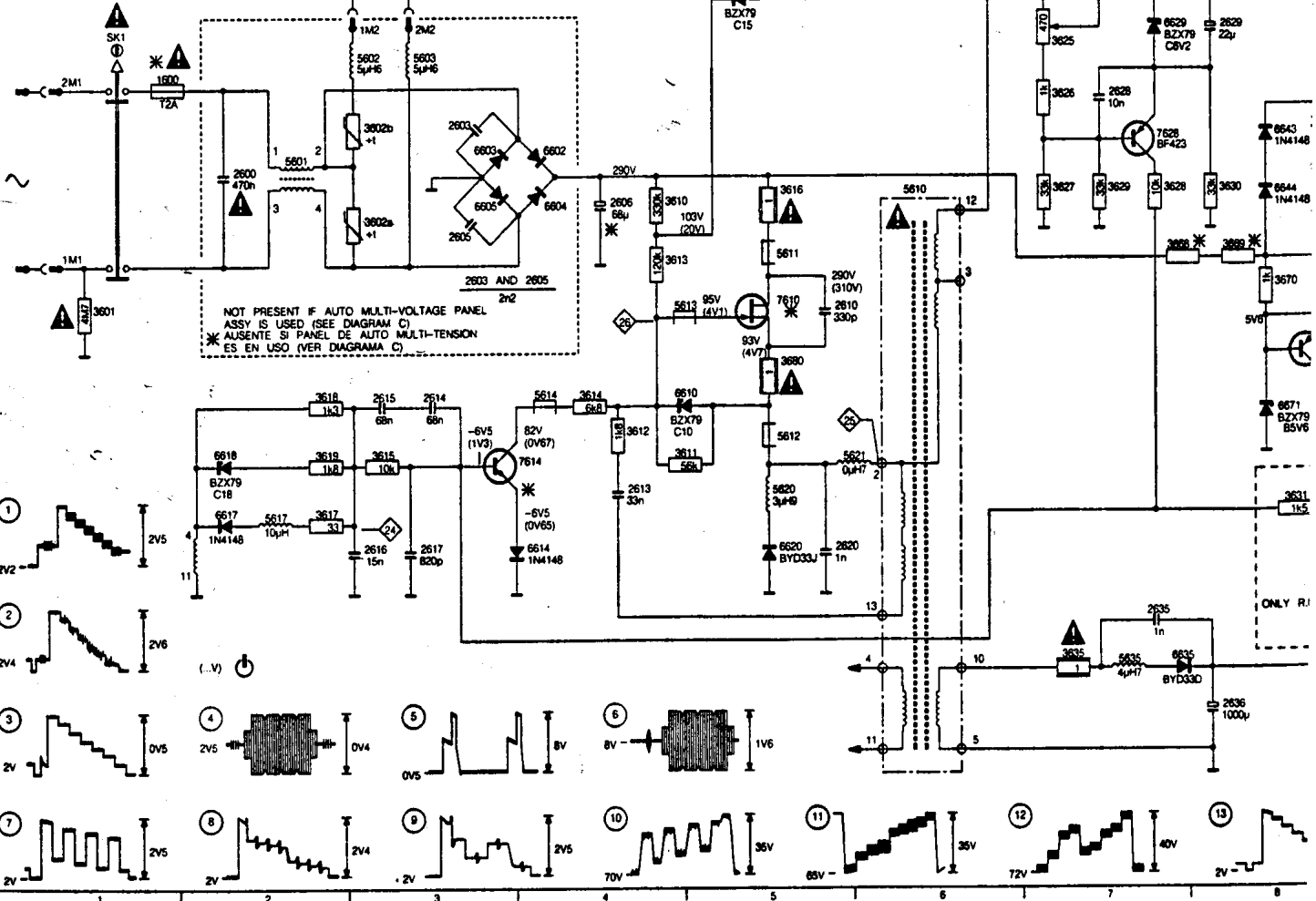


- * VALUE OR TYPENUMBER OF MARKED COMPONENTS IS DEPENDENT ON VERSION, SEE TABLE IN SERVICE MANUAL OF TYPE NUMBER
- * LA VALEUR OU LE N° DE TYPE DE CE COMPOSANT DEPEND DE LA VERSION A CET EFFECT CONSULTER LE TABLEAU DANS LA DOCUMENTATION SERVICE DES APPARELS EN CAUSE
- * IL VALORE O IL NUMERO DEL TIPO DI QUESTO PEZZO DEPENDE DALLA VERSIONE QUINDI RIFERIRSE ALLA TABELLA NELLA DOCUMENTAZIONE TECNICA
- * EL VALOR O EL TIPO DE ESTE COMPONENTE DEPENDE DE LA VERSION. PARA MAS INFORMACION VER EN EL MANUAL DE SERVICIO DEL APARATO
- * DER WERT ODER TYP DES KOMPONENTEN IST VON DER VERSION ABHANGIG FUER ERLAUTERUNG SIEHE TABELLE IN DER TYPENUMBERDOKUMENTATION
- * WAARDE OF TYPE VAN DEZE COMPONENT IS VERSIE AFHANKELIJK. RAADPLEEG DE TYPENUMBER DOCUMENTATIE

B13, B16, B18, B21, B22, B25, B33, B34, B35, B36, B37

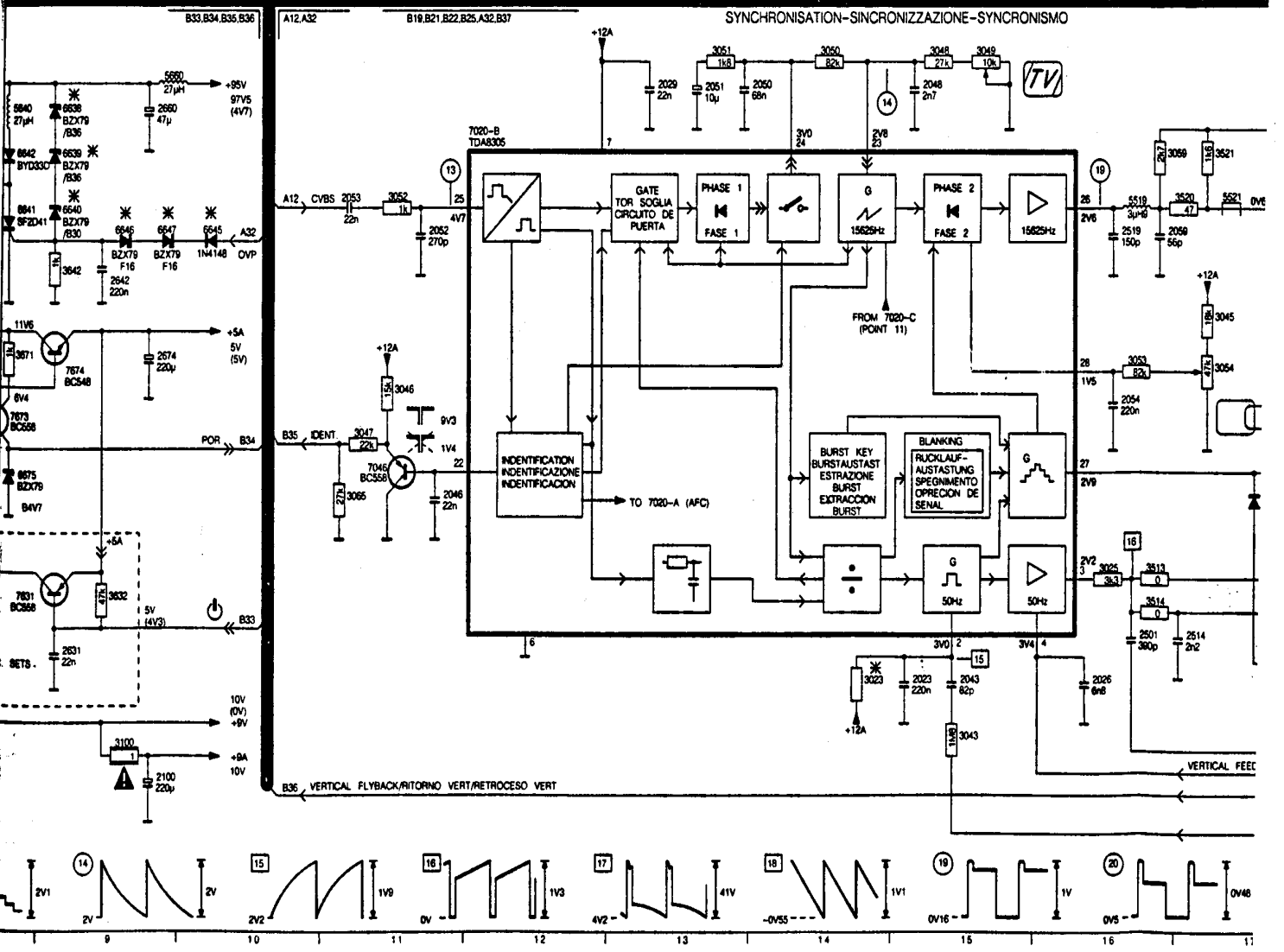
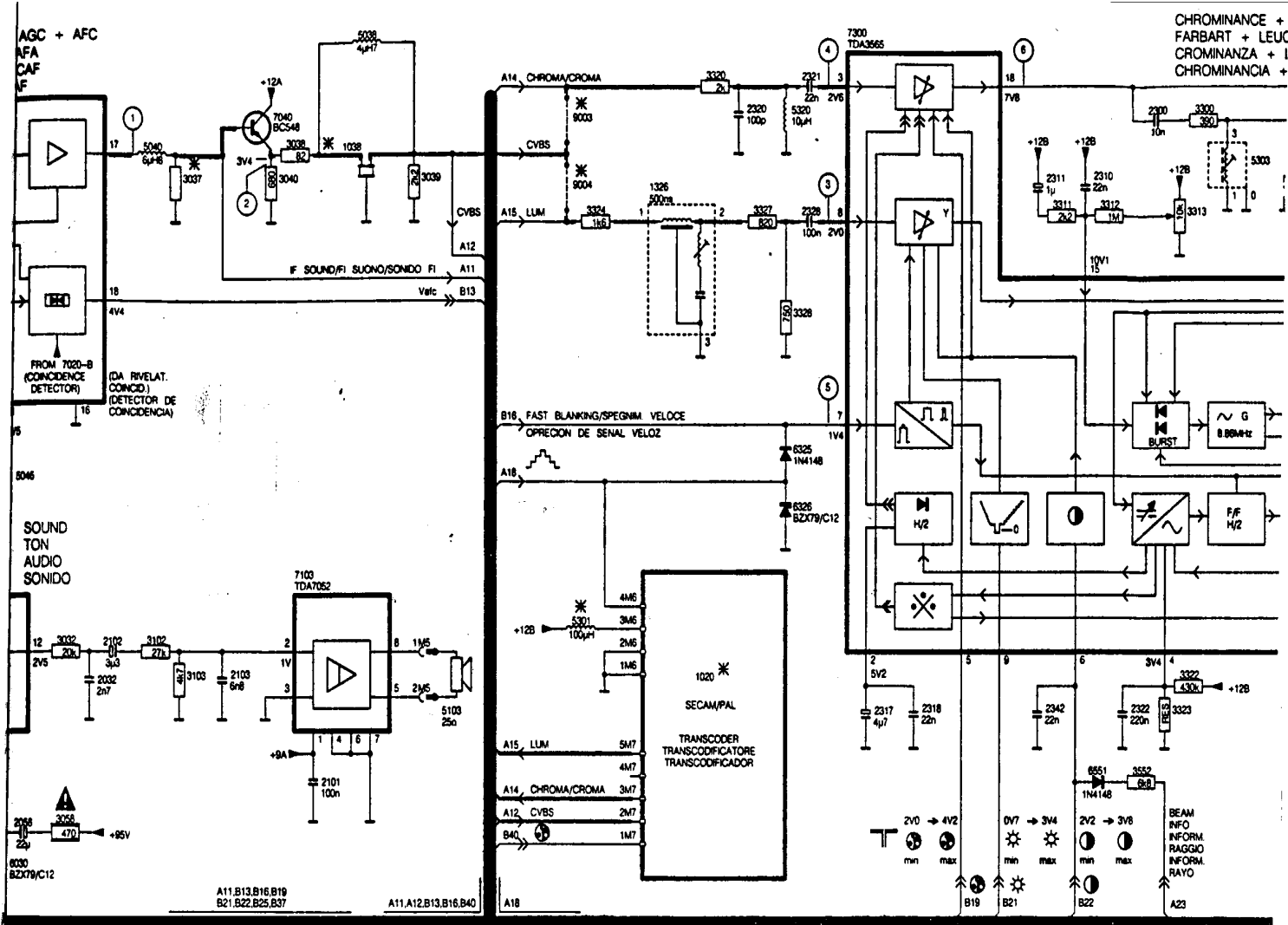
SUPPLY SPEISUNG ALIMENTAZIONE ALIMENTACION

DEGAUSSING DEMAGNETISATION SMAGNETIZZAZIONE DESMAGNETIZATION



NOT PRESENT IF AUTO MULTI-VOLTAGE PANEL ASSY IS USED (SEE DIAGRAM C)
AUSENTE SI PANEL DE AUTO MULTI-TENSION ES EN USO (VER DIAGRAMA C)

ONLY R.I



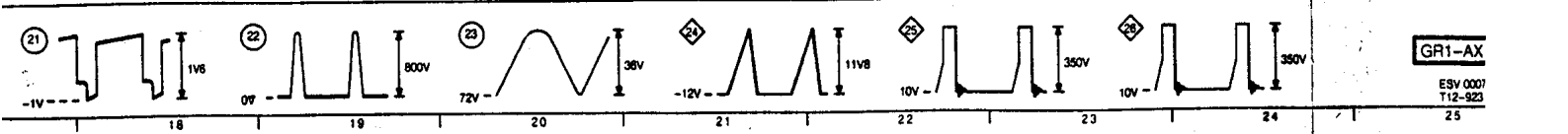
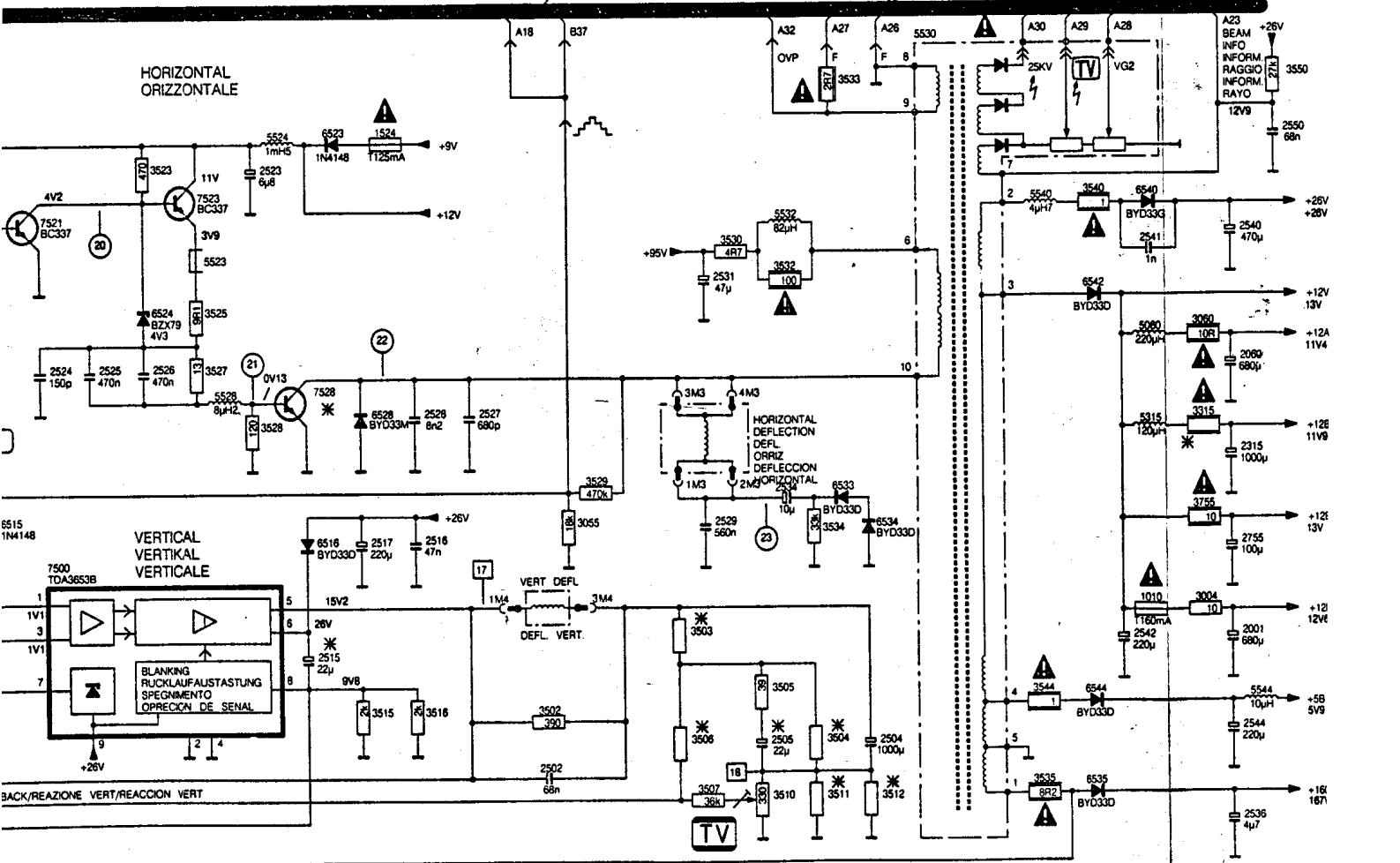
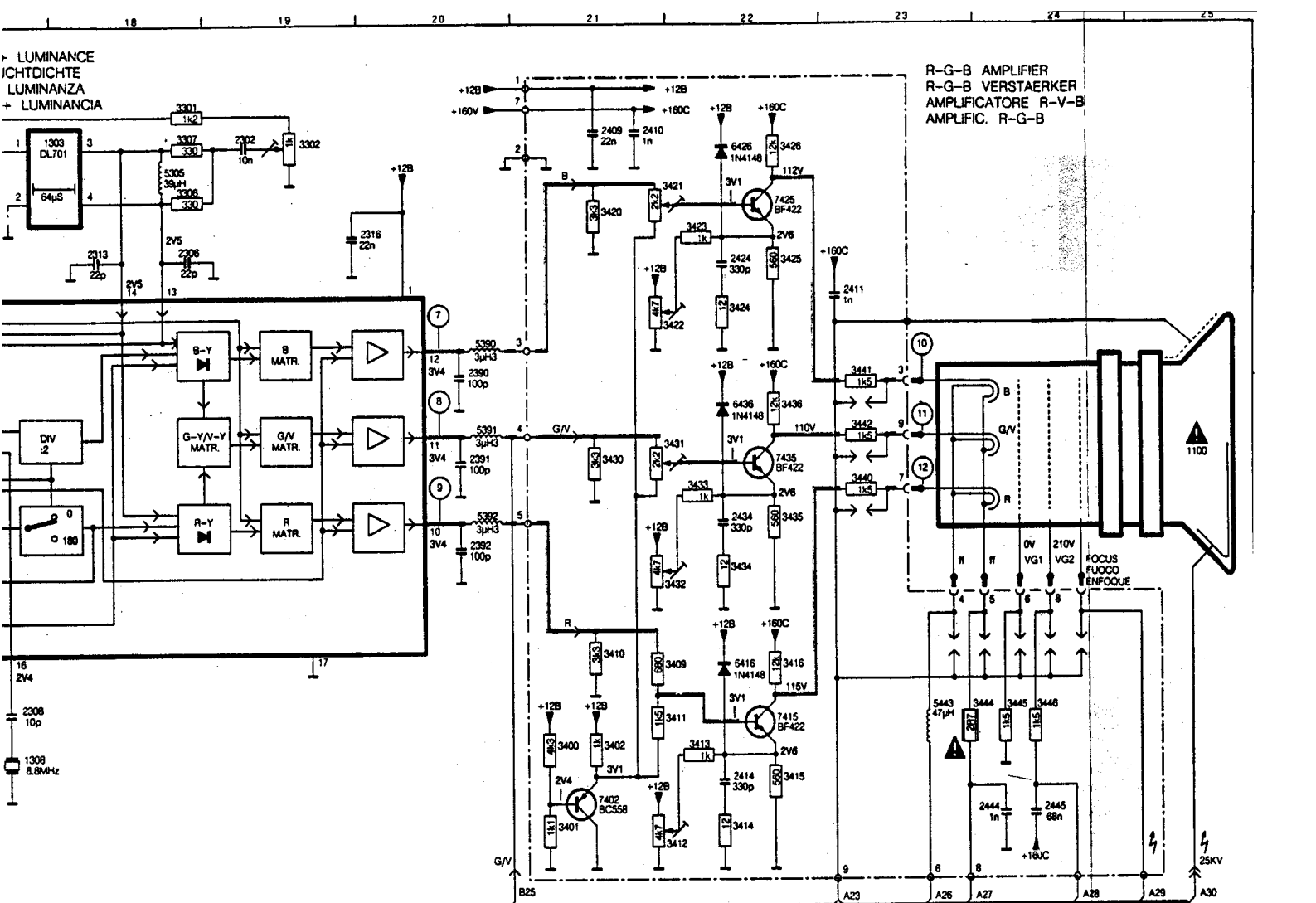
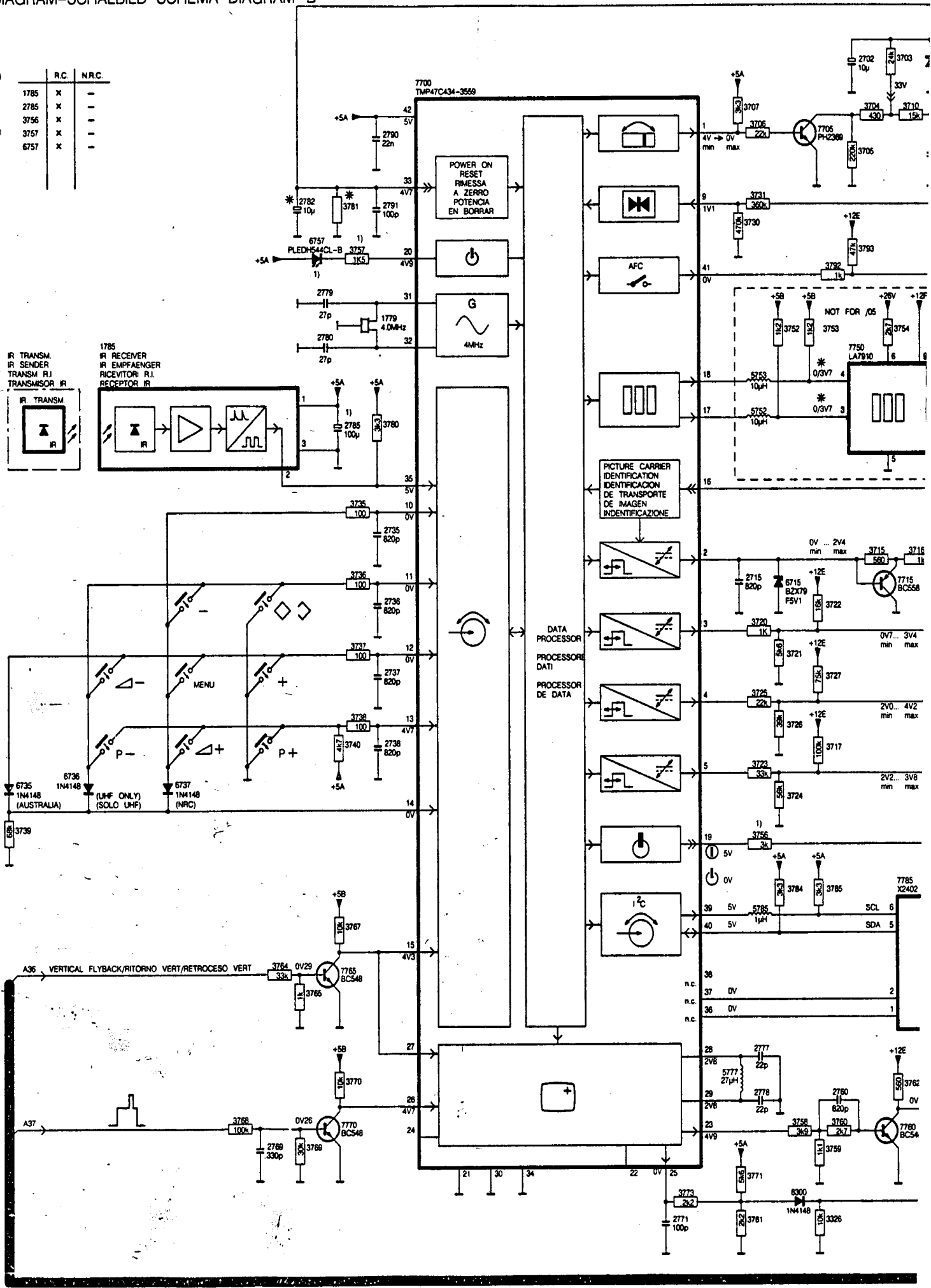
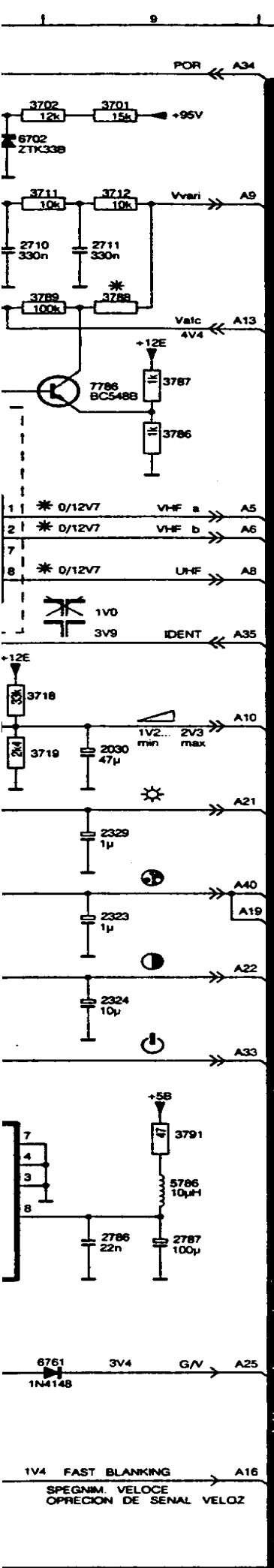


DIAGRAM-SCHALTBILD-SCHEMA-DIAGRAM B

1)	R.C.	N.R.C.
1785	X	-
2785	X	-
3756	X	-
3757	X	-
6757	X	-





*

VHF _a 12V7	VHF _b 12V7	UHF 12V7	
0V	3V7	3V7	3-IC7750
0V	0V	3V7	4-IC7750

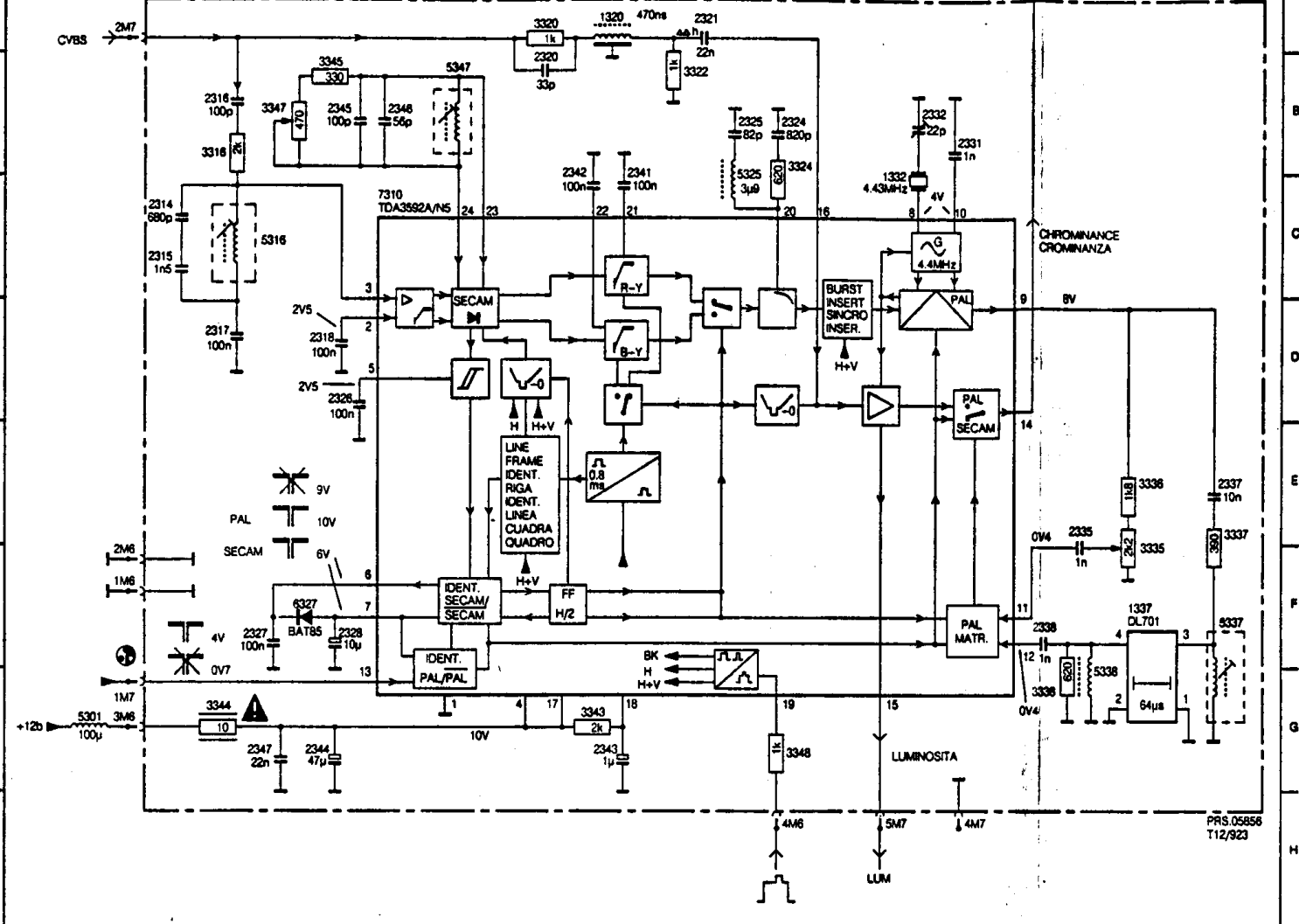
- 1779-C3
- 1785-D1
- 2030-E9
- 2323-F9
- 2324-G9
- 2329-F9
- 2702-A8
- 2710-B8
- 2711-B8
- 2715-E7
- 2735-E4
- 2736-E4
- 2737-F4
- 2738-F4
- 2760-I7
- 2769-I3
- 2771-J6
- 2777-I7
- 2778-I7
- 2779-C3
- 2780-C3
- 2782-B3
- 2785-D3
- 2786-H9
- 2787-H9
- 2790-B4
- 2791-B4
- 3326-J7
- 3701-A9
- 3702-A8
- 3703-A8
- 3704-B8
- 3705-B8
- 3706-B7
- 3707-B7
- 3710-B8
- 3711-B8
- 3712-B9
- 3715-E8
- 3716-E8
- 3717-F7
- 3718-E8
- 3719-E8
- 3720-E7
- 3721-F7
- 3722-E7
- 3723-G7
- 3724-G7
- 3725-F7
- 3726-F7
- 3727-F7
- 3730-C7
- 3731-B7
- 3735-E3
- 3736-E3
- 3737-F3
- 3738-F3
- 3739-G1
- 3740-F3
- 3752-C7
- 3753-C7
- 3754-C8
- 3756-G7
- 3757-C3
- 3758-I7
- 3759-J7
- 3760-I7
- 3761-J7
- 3762-I8
- 3764-H3
- 3765-H3
- 3767-H3
- 3768-I2
- 3769-I3
- 3770-I3
- 3771-J7
- 3773-J6
- 3780-D4
- 3781-B3
- 3784-H7
- 3785-H7
- 3786-C9
- 3787-C9
- 3788-B9
- 3789-B8
- 3791-H9
- 3792-C7
- 3793-C8
- 5752-D7
- 5753-D7
- 5777-I7
- 5785-H7
- 5786-H9
- 6300-J7
- 6702-A8
- 6715-E7
- 6735-G1
- 6738-G1
- 6737-G2
- 6757-C3
- 6761-I9
- 7700-H6
- 7705-B7
- 7715-E8
- 7750-D8
- 7760-I8
- 7765-H3
- 7770-I3
- 7785-H8
- 7786-C8

GR1-AX

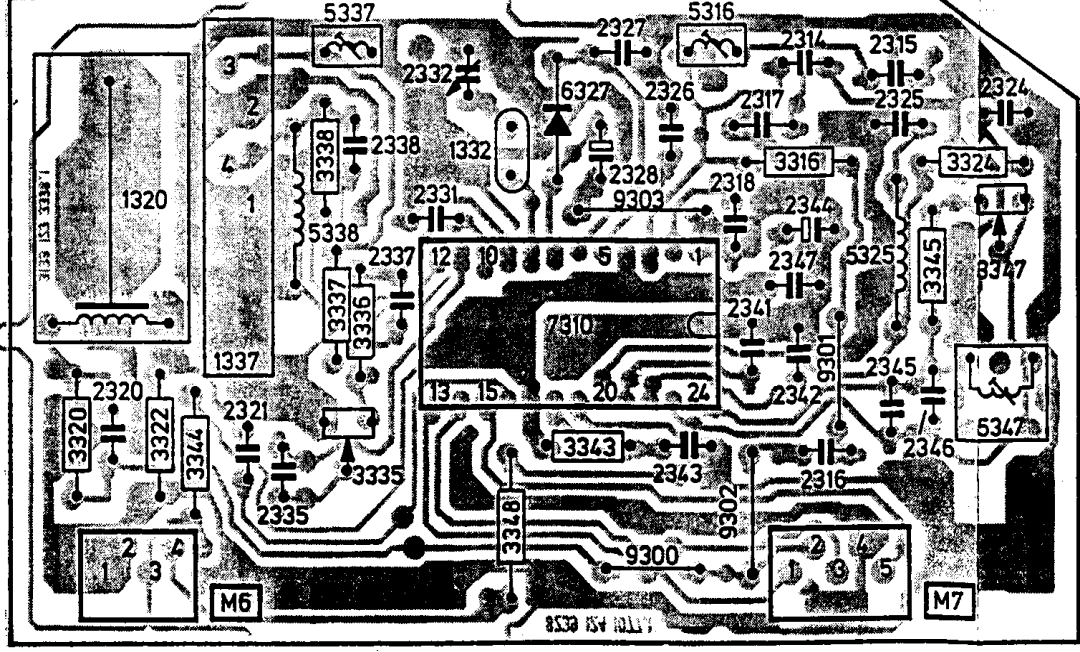
SECAM/PAL TRANSCODER

1320	A 5	2315	C 2	2320	B 5	2326	D 3	2332	B 8	2341	B 5	2345	B 3	3320	A 5	3336	E 10	3344	G 2	5301	G 1	5338	G 9
1332	B 8	2316	B 2	2321	A 6	2327	F 2	2335	E 9	2342	B 5	2346	B 4	3322	B 6	3337	E 10	3345	B 3	5316	C 3	5347	B 4
1337	F 10	2317	D 2	2324	B 7	2328	F 3	2337	E 10	2343	G 5	2347	G 2	3324	B 7	3338	G 9	3347	B 3	5325	B 6	6327	F 3
2314	C 2	2318	D 3	2325	B 6	2331	B 8	2338	F 9	2344	G 3	3316	B 2	3335	F 10	3343	G 5	3348	G 7	5337	F 10	7310	C 3

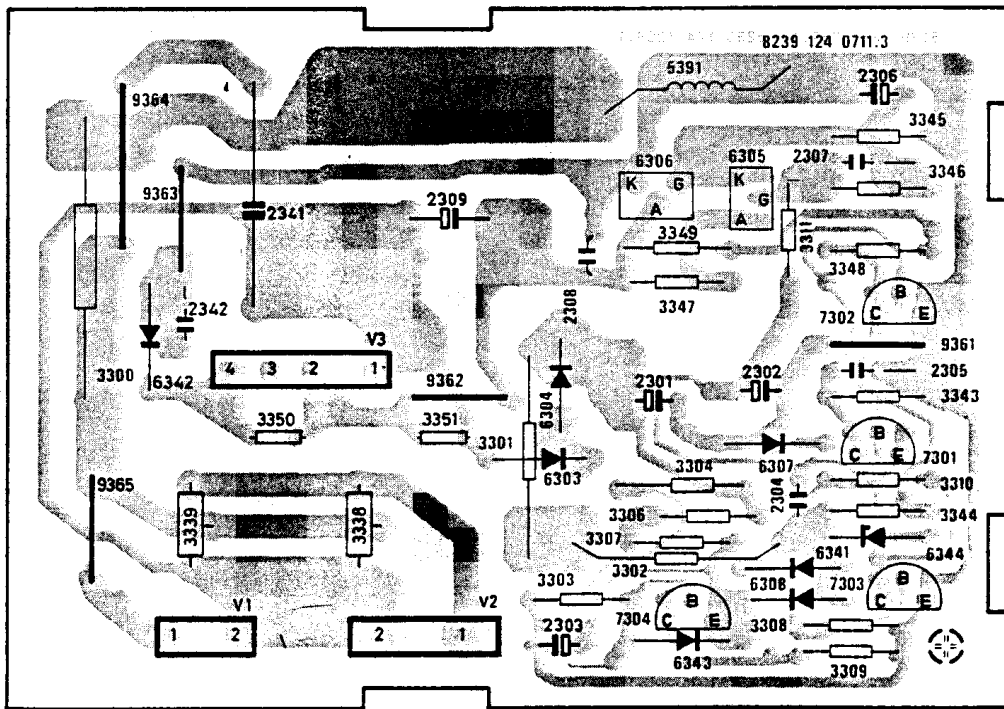
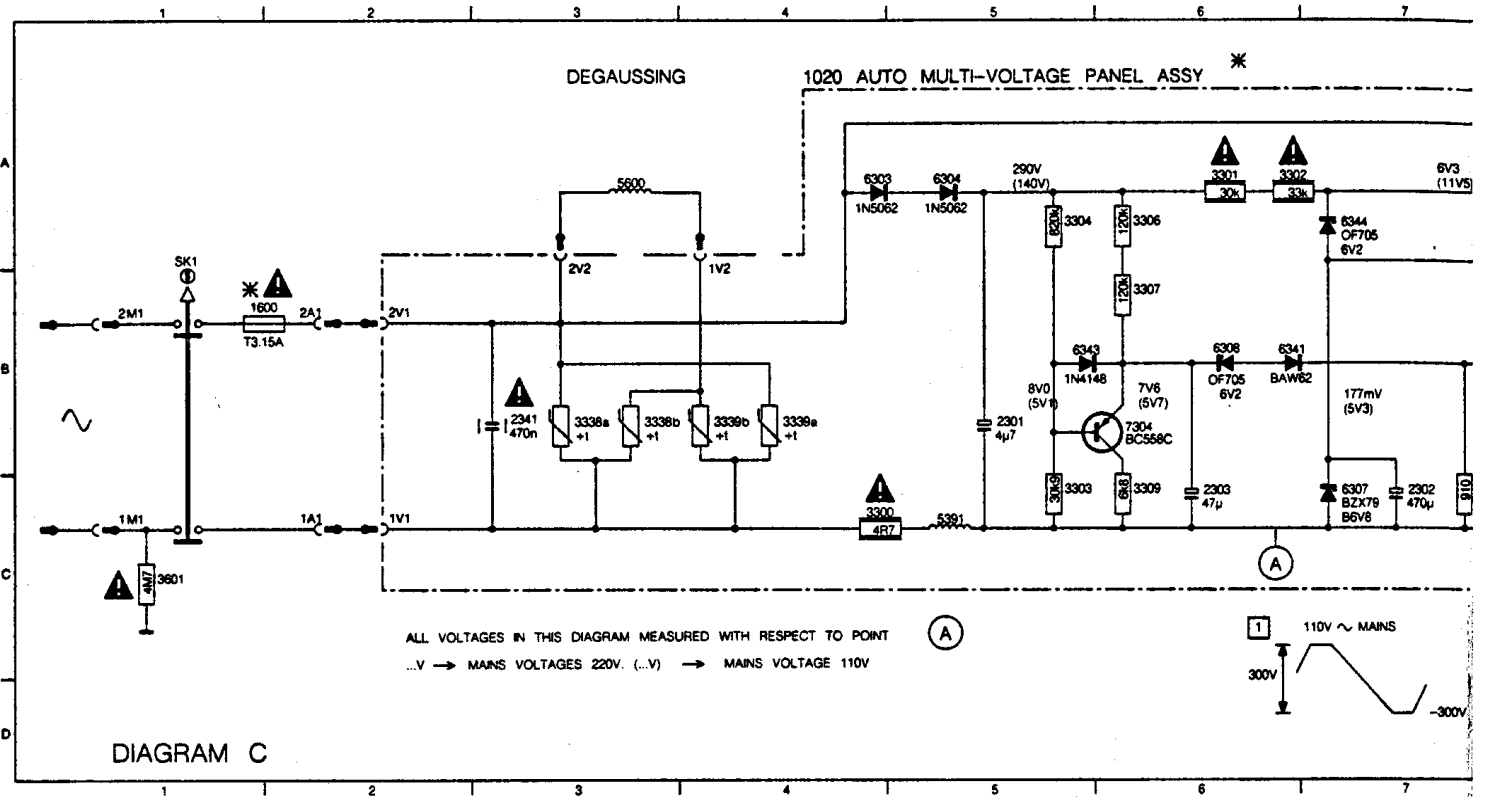
1020 SECAM/PAL TRANSCODER/TRANSCODIFICATORE

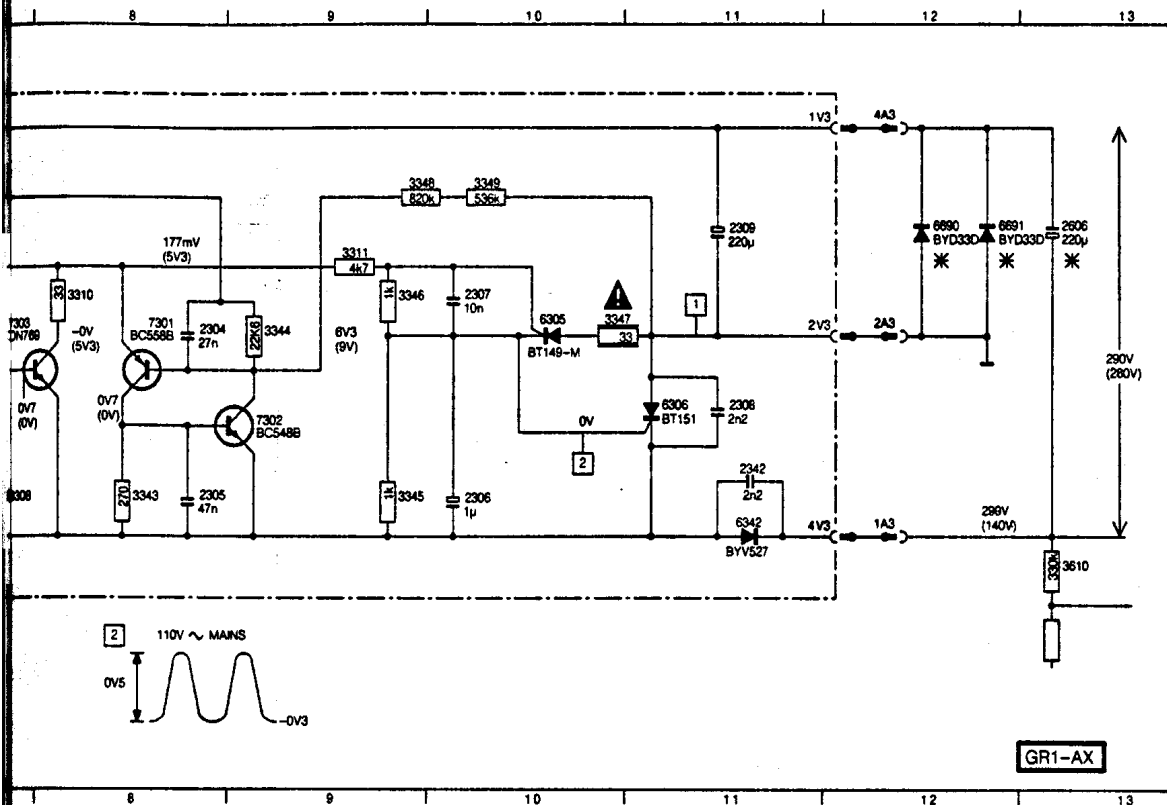


SECAM/PAL TRANSCODER



MULTI VOLTAGE PANEL





- 1600-B1
- 2301-B5
- 2302-C7
- 2303-C6
- 2304-B8
- 2305-C8
- 2306-C10
- 2307-B10
- 2308-B11
- 2309-A11
- 2341-B3
- 2342-C11
- 2606-A13
- 3300-C4
- 3301-A6
- 3302-A6
- 3303-C5
- 3304-A5
- 3306-A6
- 3307-B6
- 3308-C7
- 3309-C8
- 3310-B8
- 3311-A9
- 3338-B3
- 3339-B4
- 3343-C8
- 3344-B9
- 3345-C9
- 3346-B9
- 3347-B10
- 3348-A9
- 3349-A10
- 3601-C1
- 3610-C13
- 5391-C5
- 5600-A3
- 6303-A5
- 6304-A5
- 6305-B10
- 6306-B11
- 6307-B7
- 6308-B6
- 6341-B7
- 6342-C11
- 6343-B6
- 6344-A7
- 6690-A12
- 6691-A12
- 7301-B8
- 7302-B8
- 7303-B7
- 7304-B5
- M1 -B1

SK1 -B1
V2 -B3
V3 -A12

GR1-AX

ESV.00084
T32-820

AUTOMATIC MULTIVOLTAGE PANEL

<p>Various</p> <p>4822 265 20439 2-FOLD CONNECTOR</p> <p>4822 267 40646 2-FOLD CONNECTOR</p> <p>4822 265 20441 3-FOLD CONNECTOR</p>							
<p>2301 4822 124 22264 4,... 20% 400V</p> <p>2302 5322 124 21349 470 µF 20% 10V</p> <p>2303 4822 124 40433 47 µF 20% 25V</p> <p>2304 4822 121 41791 47 nF 10% 100V</p> <p>2305 4822 121 41791 47 nF 10% 100V</p> <p>2306 4822 124 40242 1 µF 20% 63V</p> <p>2307 4822 121 42004 10 nF 20% 400V</p> <p>2308 4822 122 40591 2,2 nF 10% 1kV</p> <p>2309 4822 124 22184 220 µF 20% 250V</p> <p>2341 4822 121 51457 470 pF 10% 275V</p> <p>2342 4822 122 40591 2,2 nF 10% 1kV</p>				<p>3311 4822 116 52426 4k7 5% 0,5W</p> <p>3338 4822 116 40135 P.T.C.</p> <p>3339 4822 116 40135 P.T.C.</p> <p>3343 4822 116 52412 270Ω 5% 0,5W</p> <p>3344 5322 116 53326 22k6 1% 0,6W</p> <p>3345 4822 116 52391 1k 5% 0,5W</p> <p>3346 4822 116 52391 1k 5% 0,5W</p> <p>3347 4822 111 30522 33Ω 5% 0,33W</p> <p>3348 5322 116 53132 820k 1% 0,6W</p> <p>3349 5322 116 80147 536k 1% 0,6W</p>			
<p>3300 4822 115 10075 4,7 Ω 7W</p> <p>3301 4822 116 52133 30k 5% 2,5W</p> <p>3302 4822 116 51736 33k 5% 2,5W</p> <p>3303 5322 116 80298 30k9 1% 0,6W</p> <p>3304 4822 116 81831 820k 1% 0,6W</p> <p>3306 4822 116 52845 120k 1% 0,6W</p> <p>3307 4822 116 52845 120k 1% 0,6W</p> <p>3308 4822 116 52868 910Ω 1% 0,6W</p> <p>3309 4822 116 52441 6k8 5% 0,5W</p> <p>3310 4822 116 52358 33Ω 5% 0,5W</p>				<p>6306 5322 130 24081 BT151-650R</p> <p>5391 4822 157 52143 26,5 µH</p> <p>6303 4822 130 80858 1N5062</p> <p>6304 4822 130 80858 1N5062</p> <p>6305 4822 130 20215 SFOR5J43</p> <p>6307 4822 130 34278 BZX79-B6V8</p> <p>6308 4822 130 34167 BZX79-F6V2</p> <p>6341 4822 130 30613 BAW62</p> <p>6342 4822 130 31509 BY527</p> <p>6343 4822 130 30621 1N4148</p> <p>6344 4822 130 34167 BZX79-F6V2</p>			
<p>7301 4822 130 44197 BC558B</p> <p>7302 4822 130 40937 BC548B</p> <p>7303 4822 130 41436 ON769</p> <p>7304 5322 130 60068 BC558C</p>							

CHASSIS GR1-AX

TABLE BELONGING TO CHASSIS GR1-AX FOR SETS WITH SV01... SERIAL NO. AND ONWARDS

VERSION	/59	/50/52	/57	/65/67/94	/68	/75	/79	/03/10/13	/08	/66	/22	/62	/05
pos.													
1000	UV711	UV711	UV711	UV711	UV711	UV663	UV711NZ	UV617	UV617	UV711	UV617	UV711	U743
1020	X	-	-	-	-	-	-	-	-	-	X	X	-
1030	OFWK1950	OFWG1961	OFWJ1953	OFWG1961	OFWG1961	OFWB1950	OFWG1961	OFWG1961	OFWG1961	OFWG1961	OFWG1961	OFWG1961	OFWJ1953
1036	5.5MHz	5.5MHz	6.0MHz	5.5MHz	5.5MHz	5.5MHz	5.5MHz	5.5MHz	5.5MHz	5.5MHz	5.5MHz	5.5MHz	6.0MHz
1037	6.5MHz	-	-	-	-	-	-	-	-	-	-	-	-
1038	5.5+6.5MHz	5.5MHz	6.0MHz	5.5MHz	5.5MHz	5.5MHz	5.5MHz	5.5MHz	5.5MHz	5.5MHz	5.5MHz	5.5MHz	6.0MHz
1600	T3.15A	T2.0A	T2.0A	T2.0A	T2.0A	T2.0A	T2.0A	T2.0A	T2.0A	T3.15A	T2.0A	T2.0A	T2.0A
2002	X	X	X	X	X	X	X	X	X	X	X	X	-
2003	X	X	X	X	X	X	X	X	X	X	X	X	-
2005	180N	180N	180N	180N	180N	180N	180N	270N	270N	180N	270N	180N	180N
2006	-	-	-	-	-	-	-	-	6P8	-	6P8	-	-
2032	2N7	2N7	2N7	2N7	2N7	2N7	2N7	3N3	3N3	2N7	3N3	2N7	2N7
2037	39P	39P	39P	68P	68P	68P	39P	39P	39P	68P	39P	39P	39P
2046	100N	100N	100N	100N	100N	22N	100N	22N	22N	100N	22N	100N	22N
2050	47N	47N	47N	47N	47N	68N	47N	68N	68N	47N	68N	47N	68N
2052	270P	270P	270P	270P	270P	270P	220P	270P	270P	270P	270P	270P	270P
2053	330N	330N	330N	330N	330N	47N	330N	150N	150N	330N	150N	330N	47N
2102	3µ3	3µ3	3µ3	3µ3	3µ3	3µ3	3µ3	470N	470N	3µ3	470N	3µ3	3µ3
2310	-	-	-	-	-	-	-	100N	100N	-	100N	-	-
2322	1µ	1µ	1µ	-	-	-	1µ	220N	220N	-	220N	1µ	1µ
2337	-	-	-	1µ	1µ	1µ	-	-	-	1µ	-	-	-
2341	22N	22N	22N	22N	22N	22N	22N	-	-	22N	-	22N	22N
2342	-	-	-	-	-	-	-	22N	22N	-	22N	-	-
2604	100N	-	-	-	-	-	-	-	-	100N	-	-	-
2606	220µ	100µ	100µ	100µ	100µ	100µ	100µ	68µ	68µ	220µ	68µ	100µ	68µ
2710	330N	330N	330N	330N	330N	330N	330N	220N	220N	330N	220N	330N	330N
2711	330N	330N	330N	330N	330N	330N	330N	220N	220N	330N	220N	330N	330N
3003	20K	20K	20K	20K	20K	-	20K	-	-	20K	-	20K	-
3032	20K	20K	20K	20K	20K	20K	20K	15K	15K	20K	15K	20K	20K
3034	1K8	1K3	1K3	1K3	1K3	1K3	1K3	2K7	2K7	1K3	2K7	1K3	1K3
3036	680R	680R	680R	2K2	2K2	2K2	680R	680R	680R	2K2	680R	680R	680R
3046	4K7	4K7	4K7	4K7	4K7	15K	4K7	15K	15K	4K7	15K	4K7	15K
3047	15K	15K	15K	15K	15K	22K	15K	22K	22K	15K	22K	15K	22K
3051	820R	820R	820R	820R	820R	1K8	820R	1K8	1K8	820R	1K8	820R	1K8
3052	1K8	1K8	1K8	1K8	1K8	1K8	1K5	1K8	1K8	1K8	1K8	1K8	1K8
3063	-	-	-	-	-	120K	120K	120K	120K	-	120K	-	-
3065	47K	47K	47K	47K	47K	27K	47K	27K	27K	47K	27K	47K	27K
3100	1R	1R5	1R5	1R5	1R5	1R5	1R5	1R5	1R5	1R	1R5	1R5	1R5
3102	27K	27K	27K	27K	27K	27K	27K	18K	18K	27K	18K	27K	27K
3108	2K2	2K2	2K2	-	-	2K2	2K2	2K2	2K2	-	2K2	2K2	2K2
3303	-	-	-	-	-	-	-	2K2	2K2	-	2K2	-	-
3311	2K2	2K2	2K2	2K2	2K2	2K2	2K2	1K	1K	2K2	1K	2K2	2K2
3315	2R2	9R1	9R1	9R1	9R1	9R1	9R1	9R1	9R1	9R1	2R2	9R1	9R1
3321	-	-	-	470R	470R	470R	-	-	-	470R	-	-	-
3322	430K	430K	430K	390K	390K	360K	430K	-	-	390K	-	430K	430K
3323	-	-	-	-	-	-	-	680K	680K	-	680K	-	-
3393	X	X	X	X	X	X	X	-	-	X	-	X	X
3603	-	X	X	X	X	X	X	-	-	-	-	X	X
3609	36K	-	-	-	-	-	-	-	-	36K	-	-	-
3618	1K3	1K3	1K3	1K5	1K3	1K3	1K3	1K3	1K3	1K3	1K3	1K3	1K3
3619	1K	1K8	1K8	2K4	1K8	1K8	1K8	1K8	1K8	1K	1K8	1K8	1K8
3668	7K5	7K5	7K5	6K5	7K5	9K1	7K5	9K1	9K1	7K5	9K1	7K5	9K1
3669	7K5	7K5	7K5	6K5	7K5	9K1	7K5	9K1	9K1	7K5	9K1	7K5	9K1
3716	1K6	1K6	1K6	1K6	1K6	750R	1K6	820R	820R	1K6	820R	1K6	1K6
3718	27K	27K	27K	27K	27K	27K	27K	33K	33K	27K	33K	27K	27K
3719	2K4	2K4	2K4	2K4	2K4	2K4	2K4	2K2	2K2	2K4	2K2	2K4	2K4
3725	27K	27K	27K	22K	22K	22K	27K	22K	22K	22K	22K	27K	27K
3726	30K	30K	30K	39K	39K	39K	30K	39K	39K	39K	39K	30K	30K
3730	240K	240K	240K	240K	240K	240K	240K	270K	270K	240K	270K	240K	240K
3788	3M	3M	3M	3M	3M	3M	3M	2M2	2M2	3M	2M2	3M	3M
5035	X	-	-	-	-	-	-	-	-	-	-	-	-
5046	X	X	X	X	X	-	X	X	X	X	X	X	X
5301	X	-	-	-	-	-	-	-	-	-	X	-	-
6046	BZX79-F5V6	BZX79-F5V6	BZX79-F5V6	BZX79-F5V6	BZX79-F5V6	-	BZX79-F5V6	-	-	BZX79-F5V6	-	BZX79-F5V6	-
6047	X	X	X	X	X	-	X	-	-	X	-	X	-
6618	BZX79-C18	BZX79-C18	BZX79-C18	BZX79-C13	BZX79-C18	BZX79-C18	BZX79-C18	BZX79-C18	BZX79-C18	BZX79-C18	BZX79-C18	BZX79-C18	BZX79-C18
7521	BC368	BC368	BC368	BC337-40	BC337-40	BC368	BC368	BC368	BC368	BC337-40	BC368	BC368	BC368
7610	BUK446-800B	BUK444-500B	BUK444-500B	BUK444-500B	BUK444-500B	BUK444-500B	BUK444-500B	BUK444-500B	BUK444-500B	BUK446-800B	BUK444-500B	BUK444-500B	BUK444-500B
7614	ON4436	BF487	BF487	BF487	BF487	ON4436	BF487	BF487	BF487	ON4436	BF487	BF487	BF487
7715	BC558	BC558	BC558	BC558	BC558	BC558	BC558	BC558	BC558	BC558	BC558	BC558	BC558
9003	-	X	X	X	X	X	X	X	X	X	-	-	X
9004	-	X	X	X	X	X	X	X	X	X	-	-	X